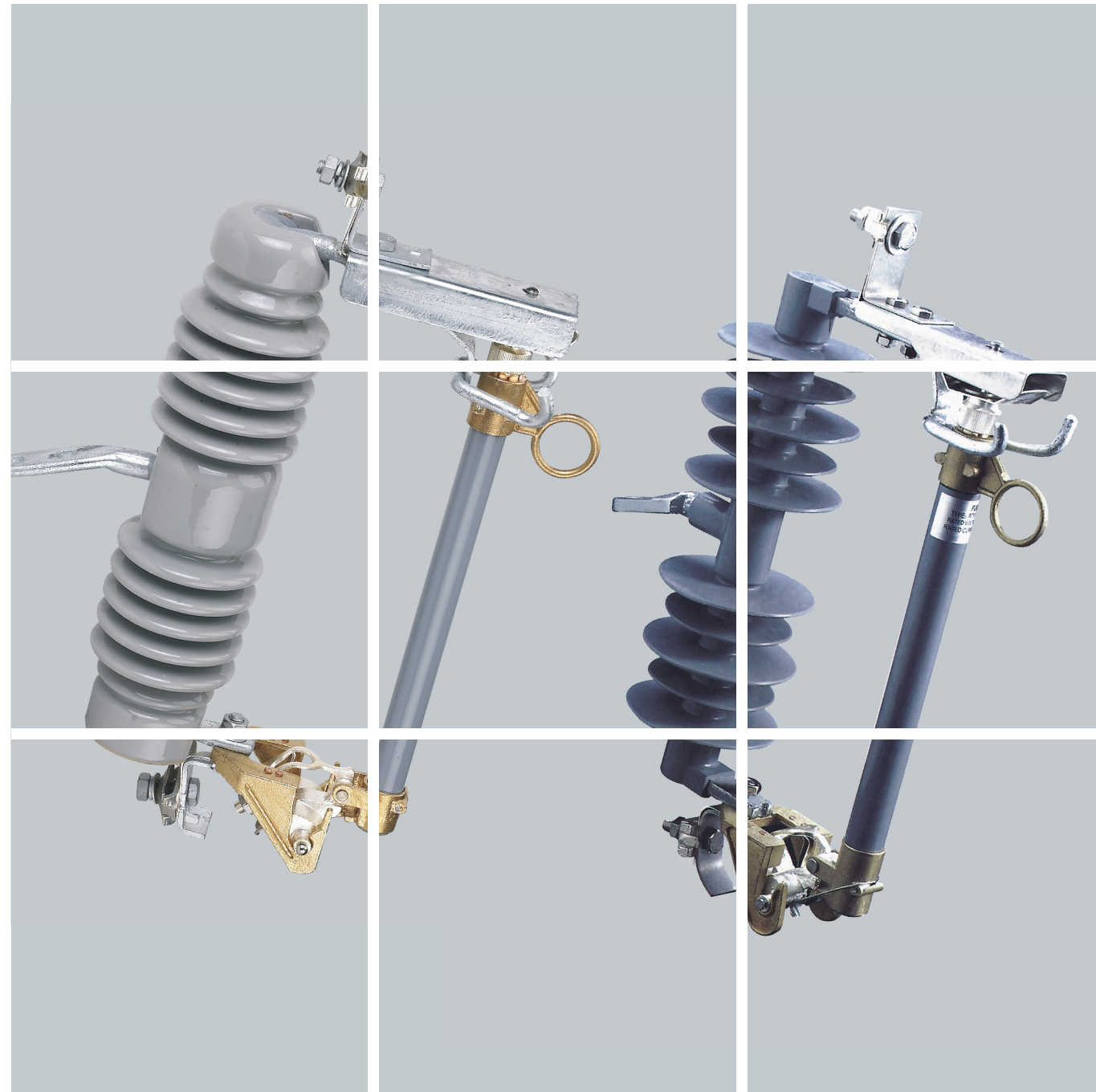
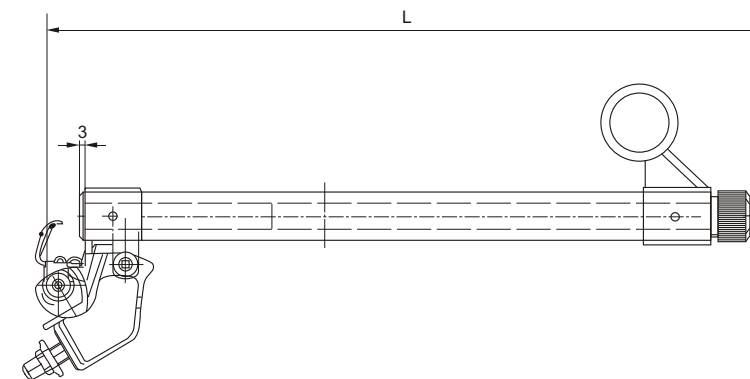
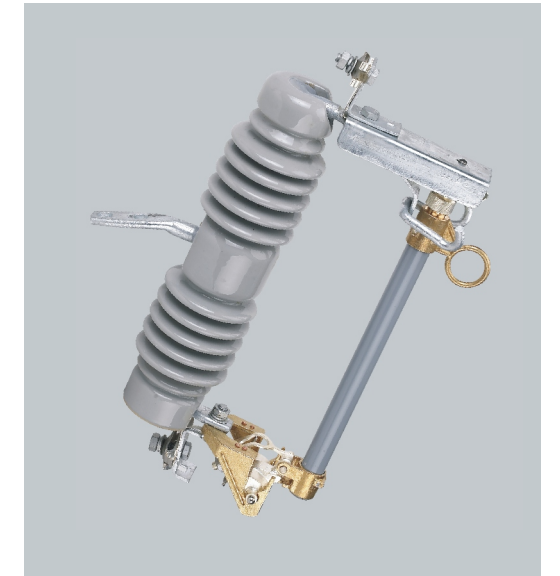
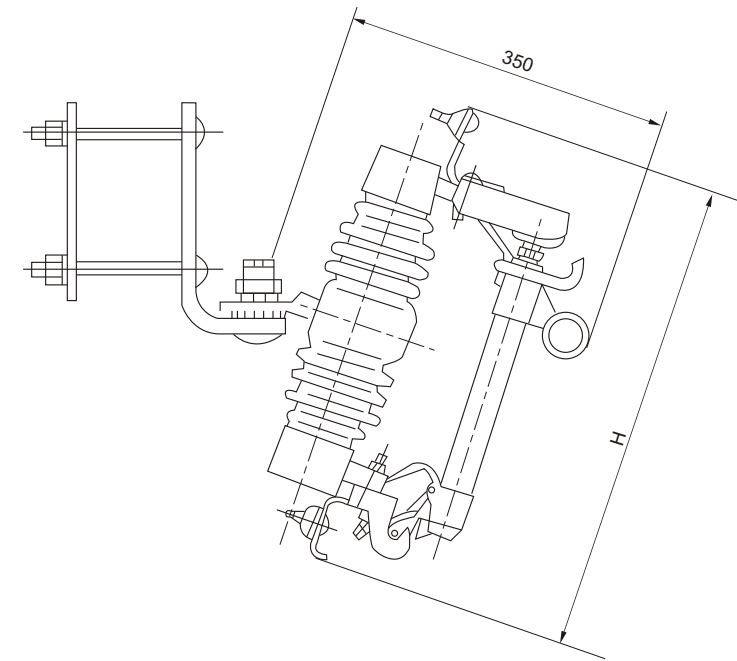


# Fuse Cutout

The fuses are fitted in HV side of distribution transformer or on distribution branches, acting as overload protection as well as the function of opening and closing load current. The rated voltage cover from 12kV up to 36kV, rated current up to 200A. The fuse conforms to IEC282-2 standard.

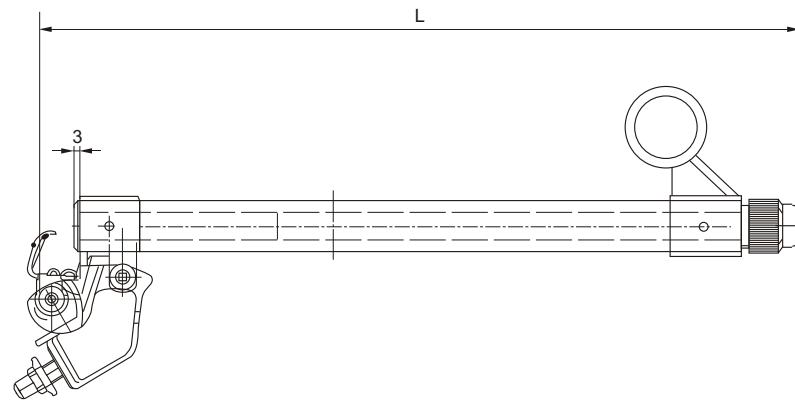
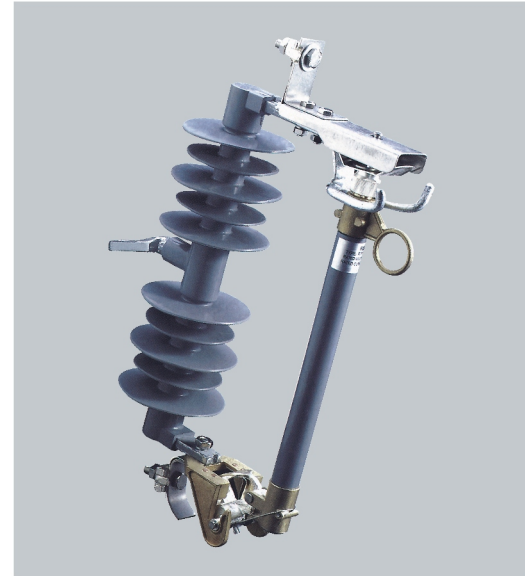
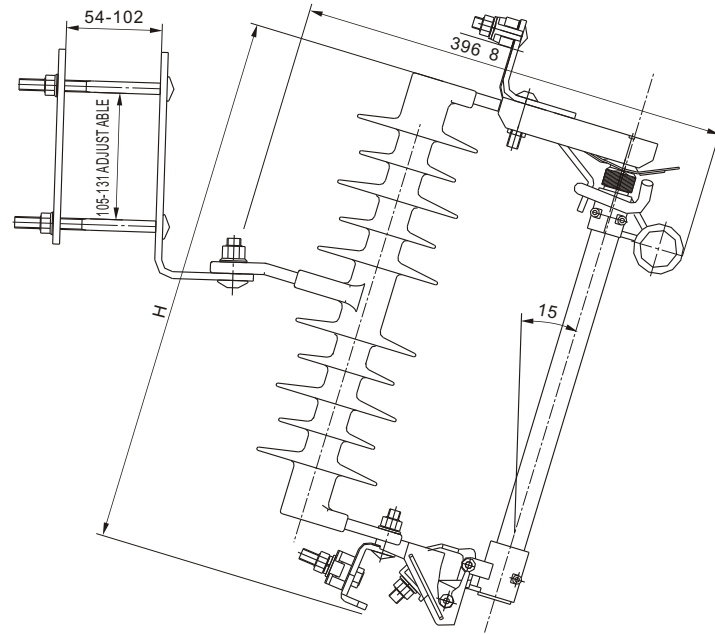


## Fuse cutout with porcelain base



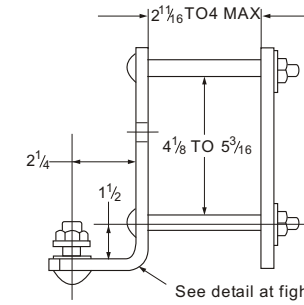
Product Code	DT-1501	DT-1502	DT-2701	DT-2702	DT-3601	DT-3602
Rated Voltage ,kV	12/15	12/15	24/27	24/27	36	36
Rated Current, A	100	200	100	200	100	200
Rated Breaking current, A	10	12	10	12	10	12
BIL, kV	110	110	150	150	200	200
Power frequency withstand voltage (dry 1min), kV	55	55	70	70	95	95
Leakage Distance, mm	300	300	540	540	720	720
Height H, mm	430	430	500	500	600	600
Tube length L, mm	310	310	380	380	480	480
Weight, kg	5.7	5.9	14	14.5	16.0	16.4

### Fuse cutout with polymer base

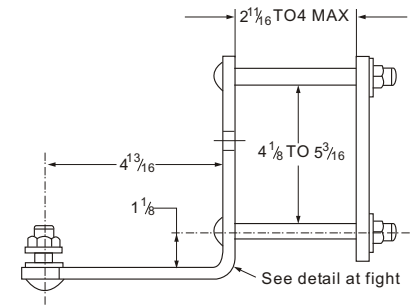


Product Code	DH-1501	DH-1502	DH-2701	DH-2702	DH-3601	DH-3602
Rated Voltage ,kV	12/15	12/15	24/27	24/27	36	36
Rated Current, A	100	200	100	200	100	200
Rated Breaking current, A	10	12	10	12	10	12
BIL, kV	110	110	150	150	200	200
Power frequency withstand voltage (dry 1min), kV	55	55	70	70	95	95
Leakage Distance, mm	440	440	600	600	790	790
Height H, mm	430	430	500	500	600	600
Tube length L, mm	310	310	380	380	480	480
Weight, kg	3.6	4.0	4.6	4.8	5.6	5.8

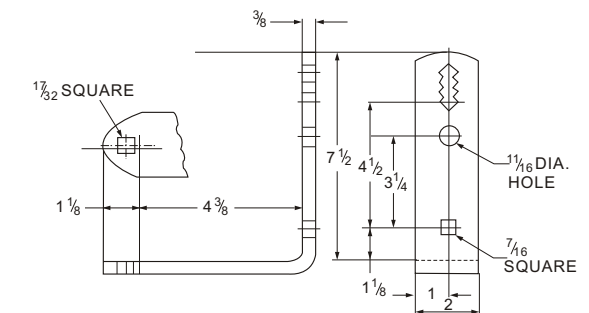
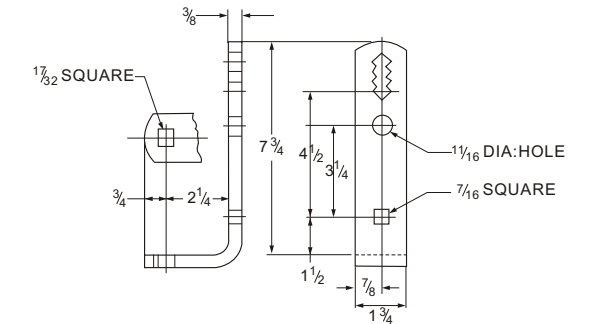
### Mounting bracket



NEMA Type B Mounting Bracket-Adjustable for 3 "X4" to 4 "X5" Crossarm



Extended Mounting Bracket-Adjustable for "X4" to 4 "X5" Crossarm



### Fuse link

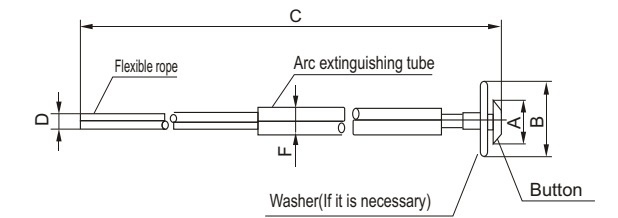
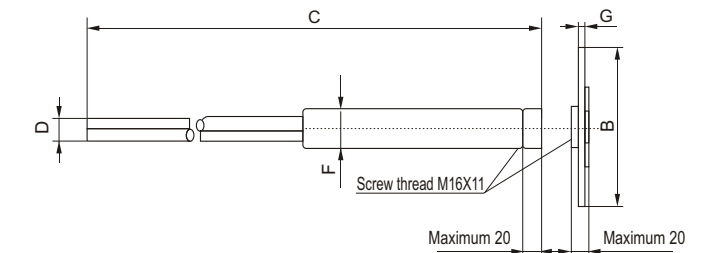


Fig.b.la button type



Rated Current, A	A (mm)	B (mm)	C (mm)	D (mm)	F (mm)
1~25	12.5±0.2	19±0.3	787	2.0	6.5
30~40	12.5±0.2	19±0.3	787	3.0	8.0
50~100	19±0.3	NA	787	5.0	9.8
110~200	19±0.3	NA	787	7.0	12.0